

Track light SFL series 20W GS-TL20WLI66



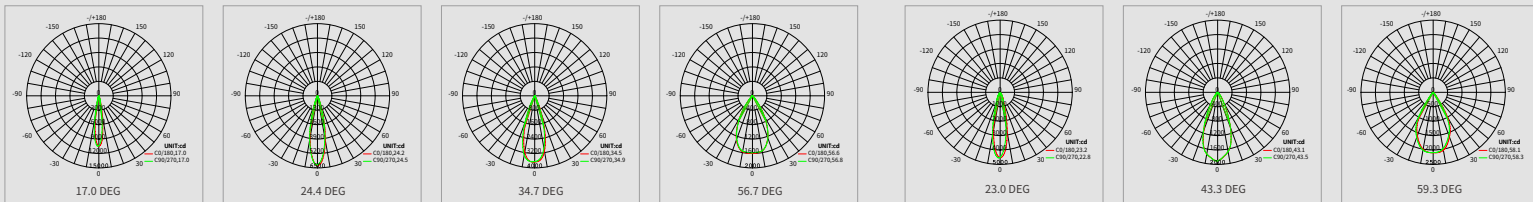
Product parameter

- LED power : 18W(36vDC 500mA)
- Lamp consumption : 20W
- Adapter : Powergear 3 phase(4-wire, 6-wire)
- Input voltage : 200-240vAC
- UGR : (Lens 12-15)(Reflector 15-19)
- Size : $\varnothing 66 \times L160 \text{mm}$
- Life span : 50,000 hrs
- Warranty : 5 years
- Beam angle : (Lens 15°/24°/36°/60°) (Reflector: 30°/40°/60°)



Dimmable

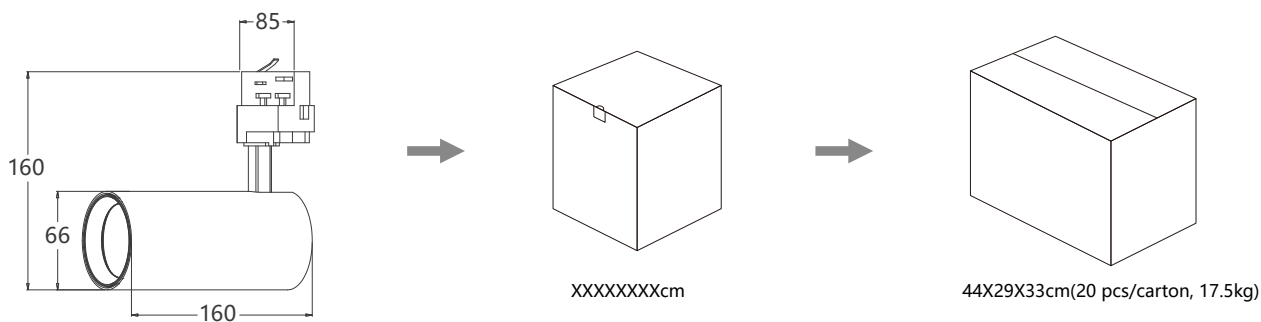
Single color dimmable TRIAC/0-10V/DALI 1800-3000K dim to warm TRIAC/0-10v



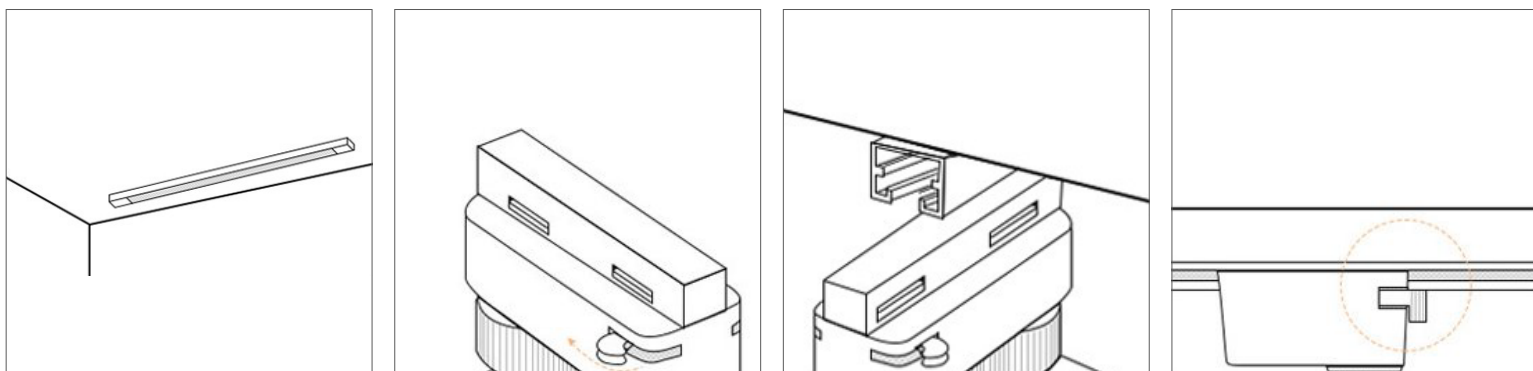
Datasheet

| Part No. | COB brand | CCT | Output | | | Beam angle |
|----------------|----------------|-----------------------------|-------------|-------------|-------------|---|
| | | | CRI80 | CRI90 | CRI97 | |
| GS-TL20WLI66B | Bridgelux V10A | 2700K-7000K single color | 2100-2400lm | 1900-2100lm | 1700-2000lm | Reflector 30°/40°/60° Lens 15°/24°/36°/60° |
| GS-TL20WLI66H | GOSUN 1204H | | no | 2300-2600lm | no | |
| GS-TL20WLI66C | CITIZEN1204 | | 2100-2400lm | 1900-2100lm | 1700-2000lm | |
| GS-TL20WLI66TP | TVANSHINE | 3000k/4500k/6000k | no | 1300-1600lm | no | |

Packing



Installation Instruction Warning: Make sure that the power on the track rail is off before installation.



1. Fix the track rails on the suspended ceiling
2. Make the power adaptor set to OFF
3. Embed the track light on the track rails
4. Turn the handle 90° degrees according the direction as shown in the left picture, make sure the adaptor be locked in the track rails