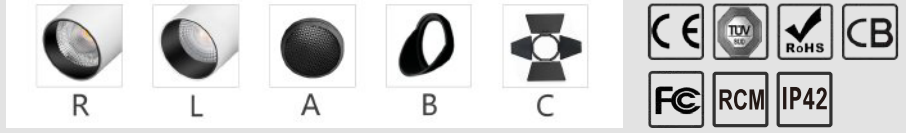


# Track light SFE series 15W GS-TL15WEC55



## Product parameter

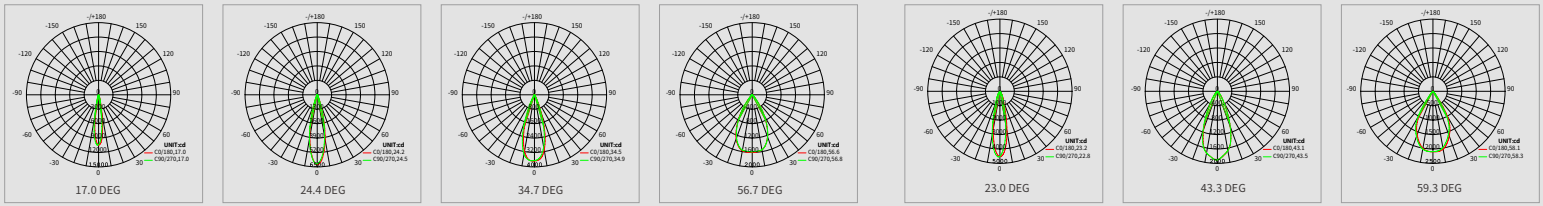
- LED power : 12.6W( 36vDC 350mA)
- Lamp consumption : 15W
- Adapter : 3 phase(4-wire, 6-wire)
- Input voltage : 200-240vAC
- UGR : (Lens 10-15 )( Reflector 13-19)
- Size :  $\varnothing 55 \times L120$ mm
- Life span : 50,000 hrs
- Warranty : 5 years
- Beam angle : (Lens 15°/24°/36°/60°)( Reflector: 30°/40°/60° )



2700K | 3000K | 3500K | 4000K | 5000K | 6000K |

## Dimmable

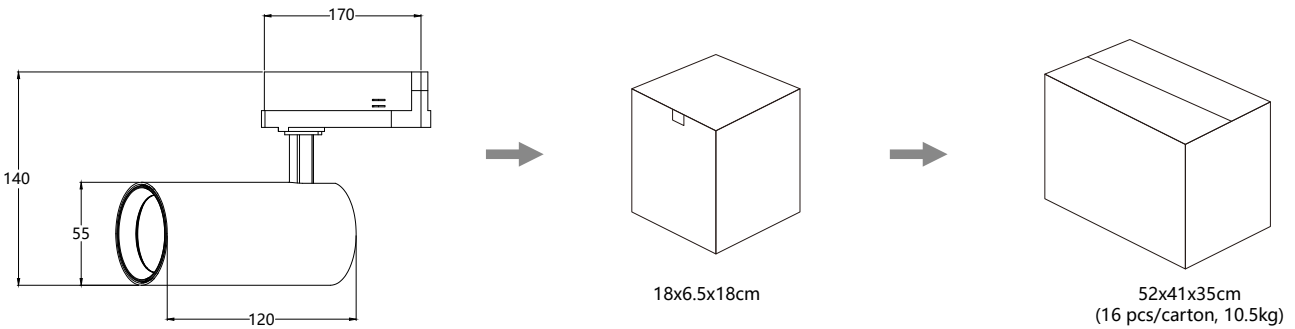
- Single color dimmable TRIAC/0-10V/DALI
- 1800-3000K dim to warm TRIAC/0-10v



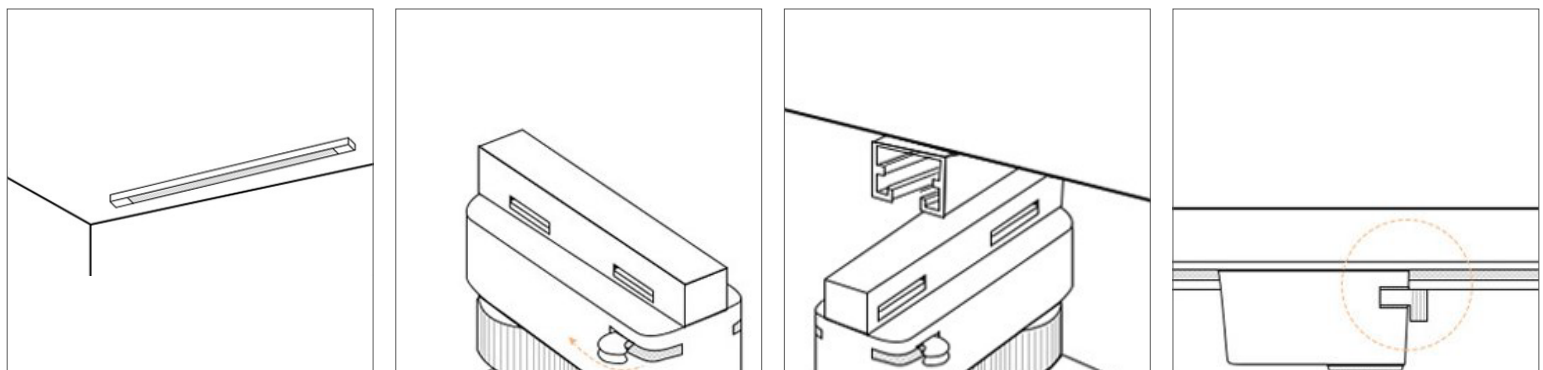
## Datasheet

Part No.	COB brand	CCT	Output			Beam angle
			CRI80	CRI90	CRI96	
GS-TL15WEC55B	Bridgelux V10B	2700K-7000K single color	1400-1600lm	1300-1400lm	1100-1200lm	Reflector 30°/40°/60°  Lens 15°/24°/36°/60°
GS-TL15WEC55H	GOSUN 1204H		no	1600-1800lm	no	
GS-TL15WEC55C	CITIZEN1203		1400-1600lm	1300-1400lm	1100-1200lm	
GS-TL15WEC55TP	TVANSHINE	3000k/4500k/6000k	no	950-1200lm	no	
GS-TL15WEC55TC		2700-5700K tunable				

## Packing



## Installation Instruction Warning: Make sure that the power on the track rail is off before installation.



1. Fix the track rails on the suspended ceiling
2. Make the power adaptor set to OFF
3. Embed the track light on the track rails
4. Turn the handle 90° degrees according the direction as shown in the left picture, make sure the adaptor be locked in the track rails