

Track light SFC series 15W GS-TL15WCC55A

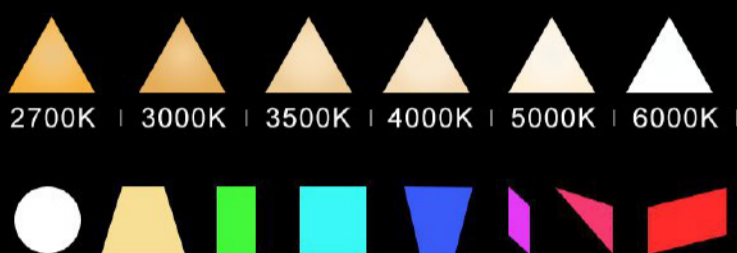


Exploded diagram

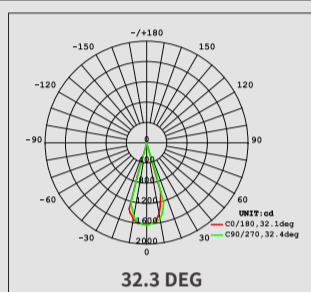
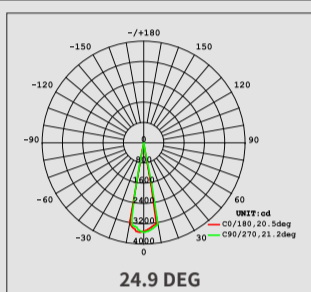


Product parameter

LED power	: 12.6W(36vDC 350mA)
Lamp consumption	: 15W
Adapter	: 3 phase(4-wire, 6-wire)
Input voltage	: 200-240vAC
Size	: φ55*L195mm
Material	: Aluminum
Life span	: 50,000 hrs
Warranty	: 5 years
Beam angle	: 24-32°



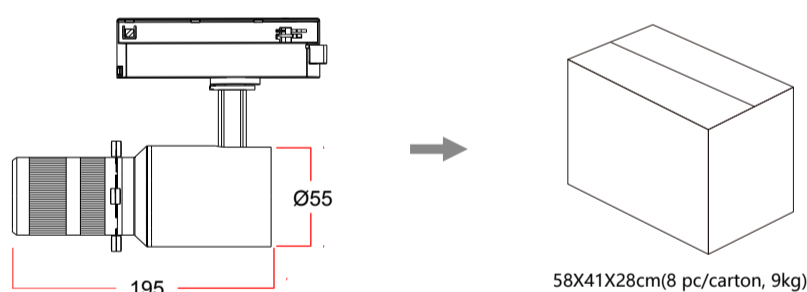
Dimmable



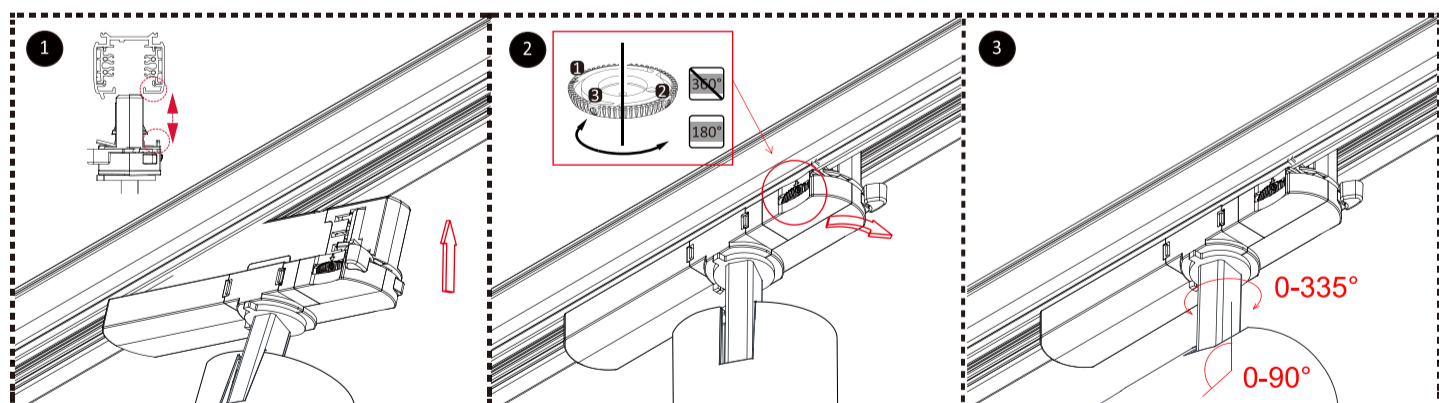
Datasheet

Part No.	COB brand	CCT	Output			Profile
			CRI80	CRI90	CRI97	
GS-TL15WCC55AB	Bridgelux V6HD	2700K-7000K single color	450-500lm	400-450lm	350-400lm	24-32°
GS-TL15WCC55AC	CLU702-1202C9		450-500lm	400-450lm	350-400lm	
GS-TL15WCC55ATP	TYANSHINE	3000k/4000k/5700k	no	220-250lm	no	
GS-TL15WCC55ATC		2700-5700k tunable				

Packing



Installation Instuction Warning: Make sure that the power on the track rail is off before installation.



1. Make the power adaptor set to OFF, Embed the track light on the track rails.

2. Turn the handle 90° degrees according to the direction as shown in the up picture, make sure the adaptor be locked in the track rails.

3. Finish installing.

Project display

Solemnly state: below are our real cases, for more information, please contact us.

